

## M1-2A Push-to-Close Knob Latch

Turn-to-open

### Features

- Single, round-hole installation
- Flush pop out knob
- Corrosion-resistant materials

### Accessories

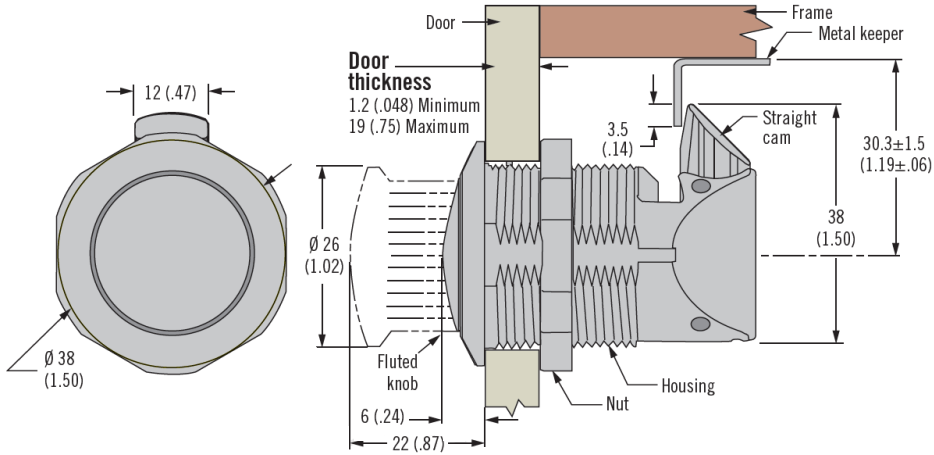
- Replacement keeper: M1-519-4

### Material

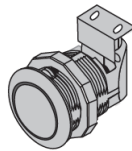
- PC/ABS, black, chrome plated or gold colored PVD

### Product Performance

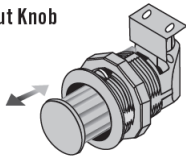
- Maximum working load: 310 N
- Operating temperature range: -30 °C to 60 °C
- Flammability rating: UL94-HB
- Maximum tightening torque on mounting nut: 4.2 N.m



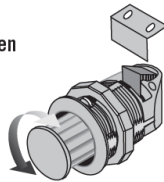
Closed



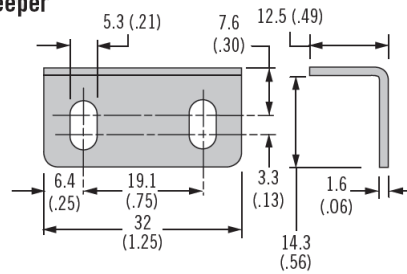
Push To Pop Out Knob



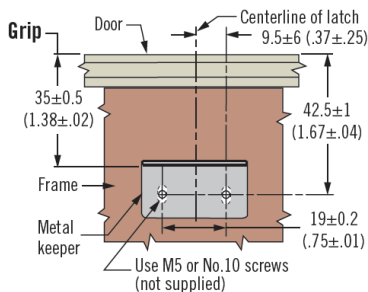
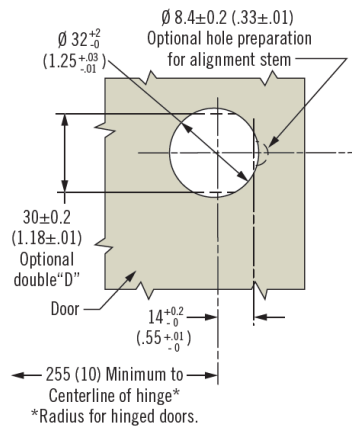
Turn Knob To Open



### Keeper



### Installation



Finish	Part Number
Chrome	M1-2A-13-1
Black	M1-2A-13-5
Gold	M1-2A-13-8

southco®

We are proud to be Southco's authorized distributor of over 20 years